
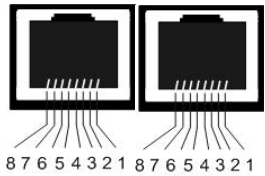




PRODUCT INFORMATION AND SPECS:

Product Application:	The XD3-30500-RJ is used to control RGB lighting strips or fixtures using a DMX512 digital signal from the DMX master controller. The DMX512 digital signal is sent via a CAT5 networking cable. The RJ45 IN/OUT ports allow for daisy chaining. Each XD3-30500-RJ is addressable using dip switches. Meets DMX512/1990 protocol.			
	Certification: ETL listed		Addressable: Yes with dipswitch using binary code	
Product Specification:	Input voltage: 12-24VDC		Maximum power: 360W / 24VDC	
	Channels: 3 channels 5A max / channel		Color controls: 256 gray levels and full color control	
		DMX RJ45 Pin settings: Pin 1 = Data + Pin 2 = Data - Pin 7 & 8 = GND		

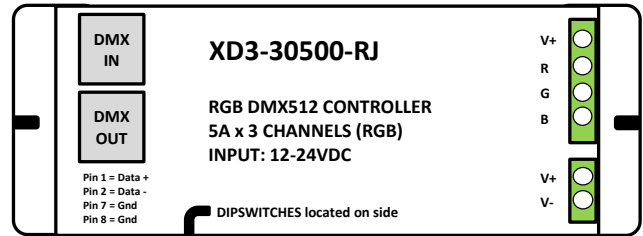


Pin 1 = Data +
Pin 2 = Data -
Pin 7 = Gnd
Pin 8 = Gnd

CAT 5 networking cable pin configuration. Data + / - signal from DMX master controller.

DMX512 signal input from DMX master controller using CAT 5 networking cable into RJ45 connector

DMX512 signal output using CAT 5 networking cable into RJ45 connector



OUTPUT PORTS: 3 negative channels (R-G-B-) and one positive common anode channel (V+).
FULL COLOR CONNECTIONS: 4-Pin common anode full-color RGB strips are connected to the output (V+) terminal and corresponding (-) RGB terminals on the decoder's corresponding output ports. The DMX signal will control all three colors.
SINGLE COLOR CONNECTIONS: Output can be connected to even single-color strips. Single-color LED strips are connected to output (V+) common anode terminal. Then, according to the strip color, connect the cathode (-) wire to the corresponding RGB terminal on the decoder's output ports. If several different single-color modules are to be connected to the same decoder, then all their Anode (+) wires must be connected to the (V+) terminal of the decoder's output port.
NOTE: The decoder automatically adjusts output current to the load requirements.

Set Zone addresses using DIPSWITCH settings as per the example below

DIPSWITCH SETTINGS located on the side of the slave controller unit

Zone	DIP Switch Settings										Comment
	1	2	3	4	5	6	7	8	9	10	
1	1	0	0	0	0	0	0	0	0	0	Binary 000000001 = address "1"
2	1	0	1	0	0	0	0	0	0	0	Binary 000000101 = address "5"
3	1	0	0	1	0	0	0	0	0	1	Binary 000001001 = address "9"

Last zone-termination (DIP 10) = "ON"

12-24VDC power supply input. Used to power the controller and light strips. Input power must equal 110% of load.

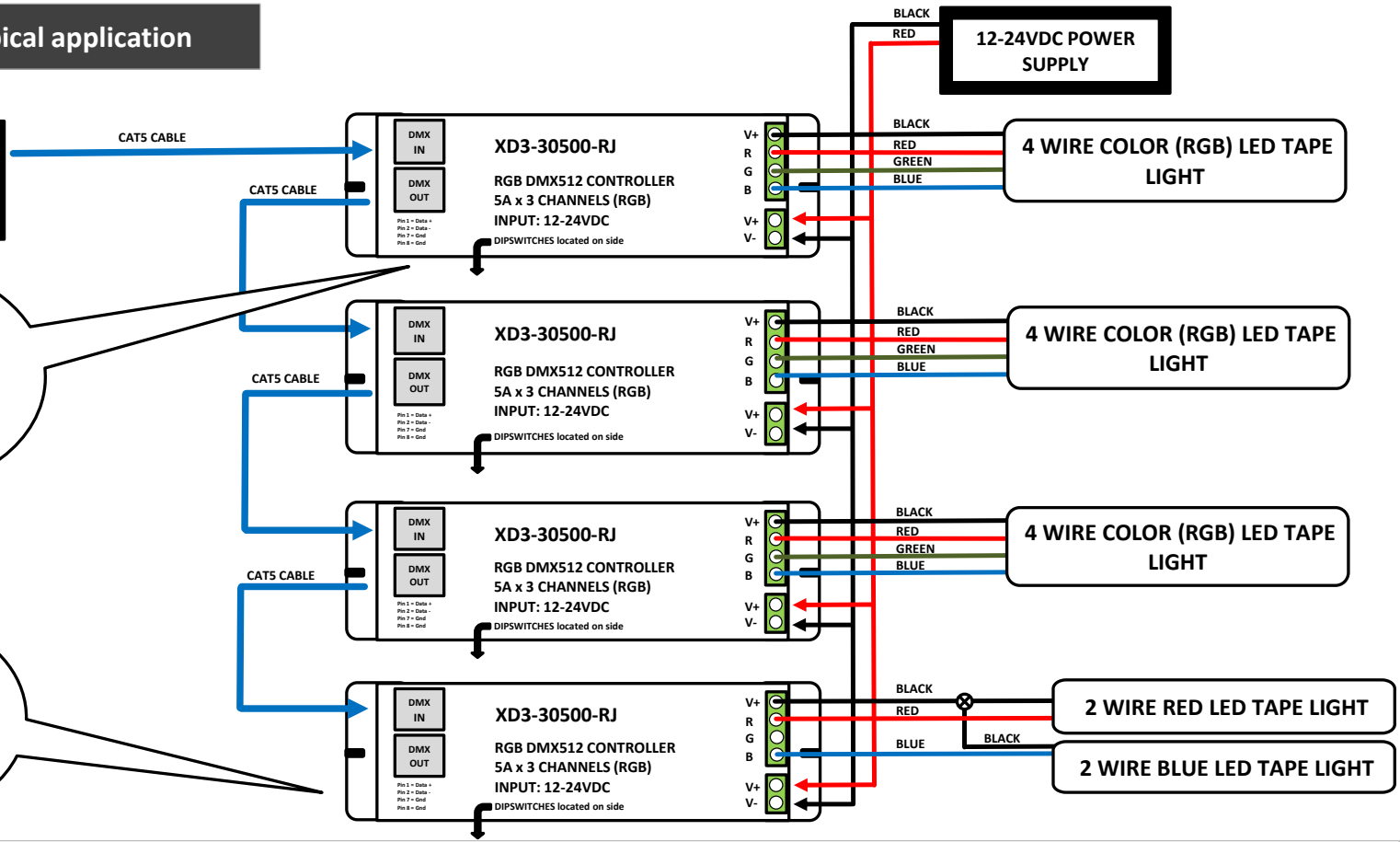


EXAMPLE of a Typical application

DMX512 MASTER CONTROLLER

Use DIPSWITCHES to address each ZONE. For example, the first three would be set as zone 1, next zone 5, next one 8, etc.

The end address, or termination zone, is always set DIP switch "10" to "ON".



EuControls Standard Product Warranty

PRODUCT WARRANTY: EuControls warrants that at the time of shipment, the standard products manufactured by EuControls, and sold hereunder, will be free from defects in material and workmanship for a period of three years from the date of shipment.

Warranty Adjustment: Buyer shall notify EuControls immediately if any defect within the warranty period should appear. EuControls agrees to repair or furnish a replacement for, but not install, any product which within three (3) years from the date of shipment by EuControls, shall upon examination by EuControls, prove defective within the above warranty period. No product will be accepted for return or replacement without written authorization of EuControls. Upon such authorization, and in accordance with instructions by EuControls, the product will be returned shipping charge prepaid by Buyer. Replacements made under this warranty will be shipped prepaid by Seller.

Exclusions from Warranty: This warranty does not extend to any products manufactured by EuControls which has been subjected to misuse, neglect, accident, improper installation or use in violation of instructions furnished by EuControls. This warranty does not extend to, or apply to, any unit which has been repaired or altered other than at EuControls' factory, or by persons not expressly approved by EuControls. Components purchased or made by Buyer from any supplier other than EuControls shall bear only the warranty given by the manufacturer of that product, and EuControls assumes no responsibility for the interface of its product with any other product, and such responsibility shall remain with Buyer for interface, functionality, and intended use.

Notice: The foregoing warranty is in lieu of and excludes all other expressed or implied warranties of merchantability or fitness for use or otherwise.

EuControls Corporation

19210 S. Vermont Ave, Bldg C, Ste 310
Gardena, CA 90248
United States

Toll-free sales hotline: +1 (888) 535-9580

Tel: +1 (310) 643-5700

Fax: +1 (310) 643-5688