

## DMX300

### DMX Controller

#### Product Features

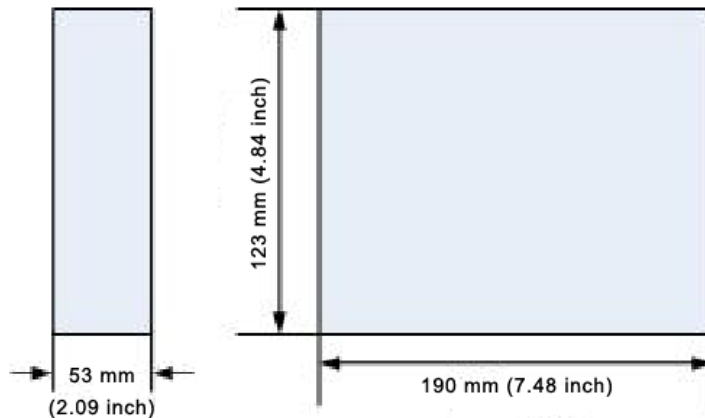
- Meets DMX512(1990) International Standard.
- Wireless RF remote control.
- 4 digital display.
- 256 RGB color models, total 16.77 million colors, true colors.
- Built-in multi-Mode selections with Pause function.
- 8-Level speed adjustment.
- Automatic parameter memory.
- Supports various output interface, such as XLR-3 Male & Female, RJ45 etc.
- With anti-interference and auto-resuming functions.
- ETL certified to be compliant to widely accepted product safety standards.



#### Product Specifications

- Input Voltage 12VDC (with an 220/110VAC to 12VDC adaptor)
- Maximum Power 5W
- Memory 64KB
- Output Channel 1
- Transmission Interface DMX512 (1990)
- Transmission Speed 250Kbps
- Pixels 50 pixels, 170 pixels MAX.
- Control Mode Asynchronous Full-color Control
- Remote Distance 164 feet
- Description Build-in 30 modes, such as Jump, Fading, Flashing, Chasing etc.
- Operating Temperature 0 - 50°C
- Dimensions (L)190 x (W)123 x (H)53 (mm); (L)7.48 x (W)4.84 x (H)2.09 (inch)
- Weight 1,000g

#### Dimensions



# DMX300

## DMX Controller

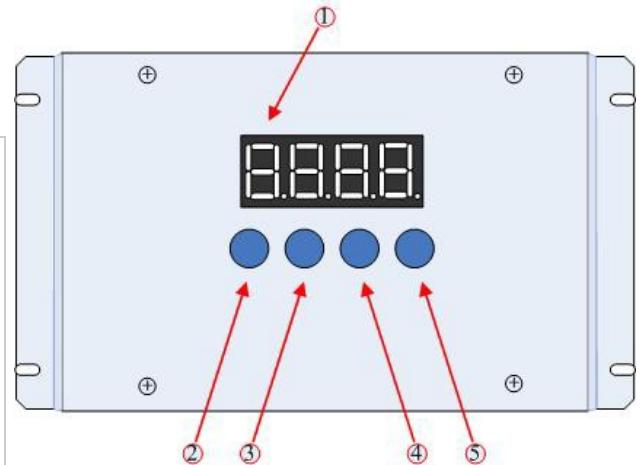
### Operation Instructions

#### Top Panel

#### Key Descriptions

① Digital display; First two numbers indicate modes (01-30), the last two numbers indicates speed (1-8).

- ② **Mode** : Change modes.
- ③ **Pause** : Remain at present color; Press again to exit pause function.
- ④ **SPD+** : Change speed to a faster level (Default is fastest level).
- ⑤ **SPD-** : Change speed to a slower level.

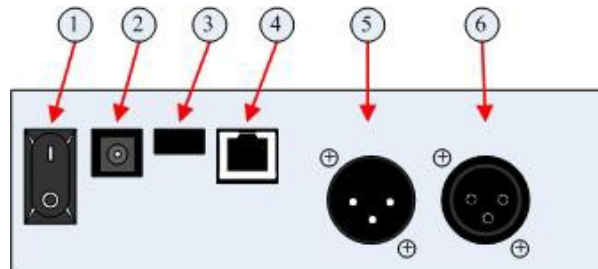


△ Note

When you press ② MODE button, the first 2 numbers on digital display will be changed following the order of mode number 01-16. When you press ③ Pause button, the display will show "P" only. You can return to the previous mode by pressing ③ Pause again. The fourth number on the display will show you the speed level from 1 (fastest) to 8 (slowest), and it will be controlled by ④ SPD+ and ⑤ SPD- buttons.

#### Back Panel

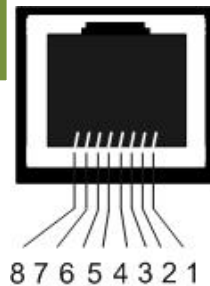
- ① Power Supply ON/OFF Switch.
- ② 12VDC Input Port.
- ③ USB Download Port.
- ④ RJ45 Output Port.
- ⑤ XLR-3 Male output Port.
- ⑥ XLR-3 Female output Port.



#### Output Ports

##### RJ45 Output Port:

- 1: DATA+.
- 2: DATA-.
- 3-6: NC.
- 7-8: GND



##### XLR-3 Output Port:

- 1: GND
- 2: DATA-.
- 3: DATA+.



## DMX300

### DMX Controller

### Remote Control

#### Key Descriptions

- 【Mode】** : Change modes.
- 【Pause】** : Remain at present color; Press again to exit pause function.
- 【SPD+】** : Change speed to a faster level (Default is fastest level).
- 【SPD-】** : Change speed to a slower level.



### Mode Change Codes

1: Static Red	9: Full-Color Change	17: RGB Flashing	25: 6-color Jump Change
2: Static Green	10: Rainbow Change	18: RG Flashing	26: RGB Jump Change
3: Static Blue	11: Flashing Change	19: RB Flashing	27: RG Jump Change
4: Static Yellow	12: Tail Chasing	20: GB Flashing	28: RB Jump Change
5: Static Light Blue	13: Color Stack	21: R Flashing	29: GB Jump Change
6: Static Purple	14: Chasing (Blue, Purple)	22: G Flashing	30: White Jump Change
7: Static White	15: White Flashing	23: B Flashing	
8: 7-color Fading	16: 6-Color Flashing	24: 7-color Jump Change	

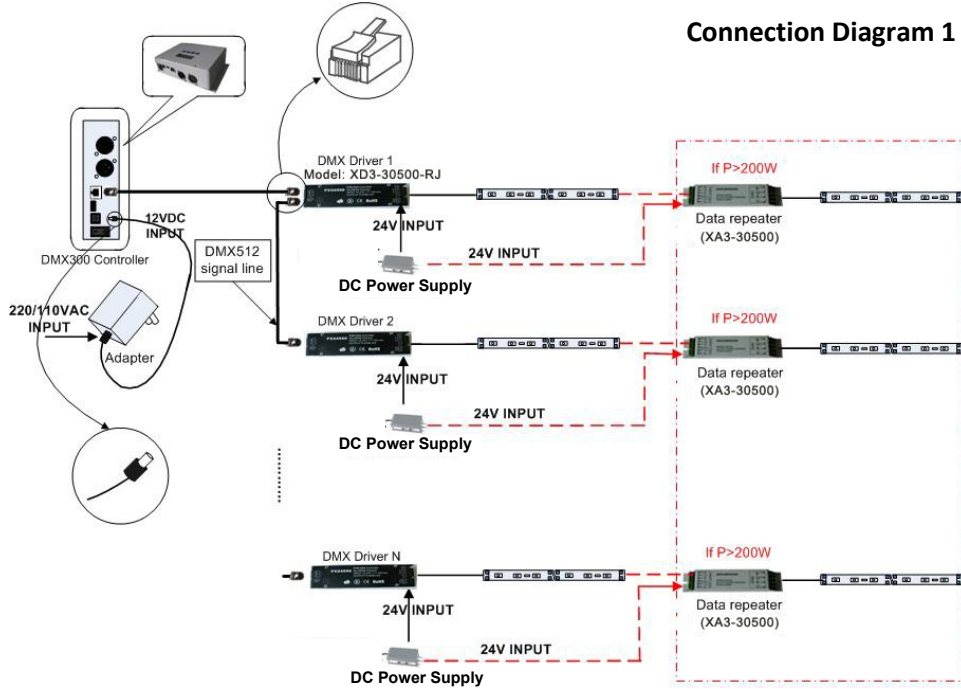
#### Note

1. Static Color means that all channels will be in same color.
2. Only one color can be fading .
3. Since the first 6 modes are static colors, the Pause button is disabled.

**DMX300**  
 DMX Controller

**Installation Instructions**

**Connection Diagram 1**



**Connection Diagram 2**

